



VISIO

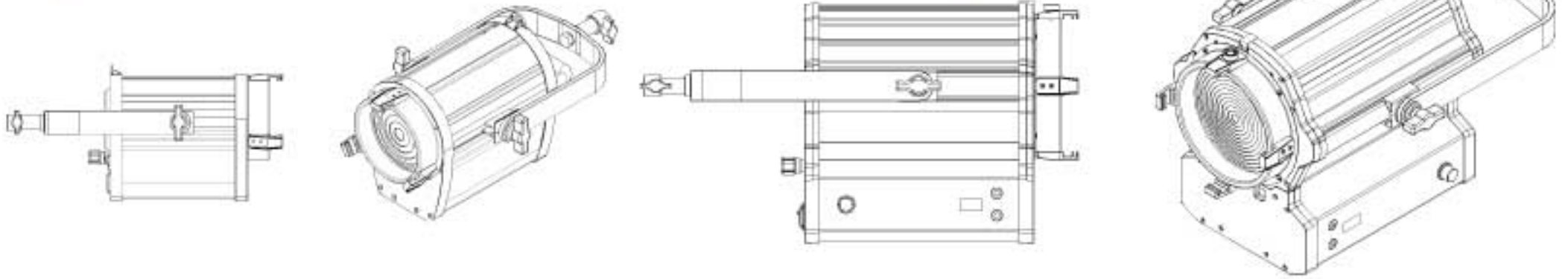
1 1 3 4 TAIWAN



**ZOOM** Fresnel LED



## High output, focusable, and single shadow



### Perfect spectrum / Super high CRI

Continuous Spectrum, with High CRI 92% above, provide the truest color.

### Focusable

Adjustable light beam angle, focus from 11 degree to 82 degree.

### DMX control

DMX control available for adjusting lighting intensity.

### Low consumption

High output approximate to HMI 200W/ 575W/ 1.2K save air condition and expansive electricity.

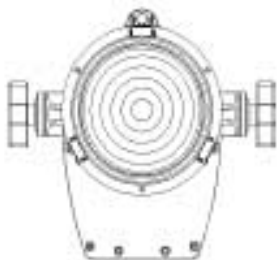
# ZOOM 100

Power consumption: 100W

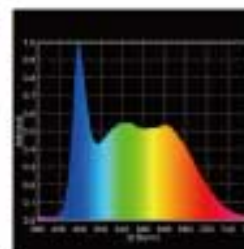
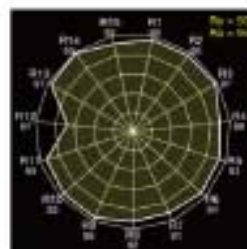
Size: 27 L x 15W x 21 H cm

Weight: 3.9 kgs

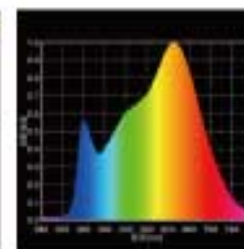
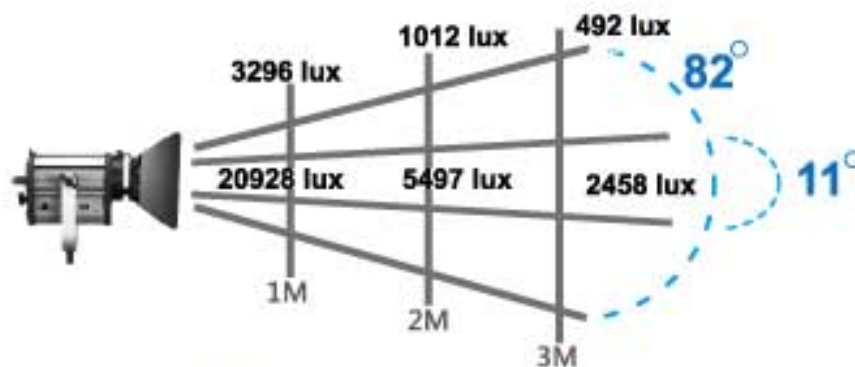
Input: 100-240V



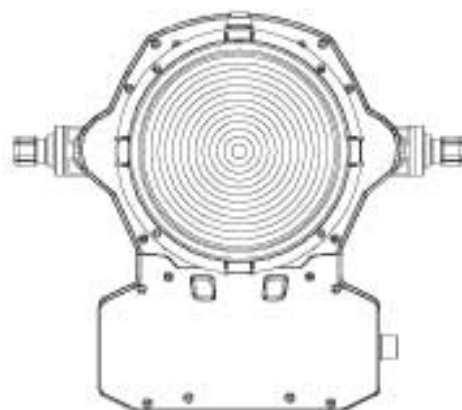
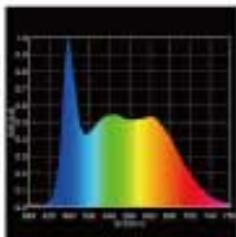
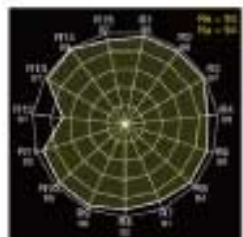
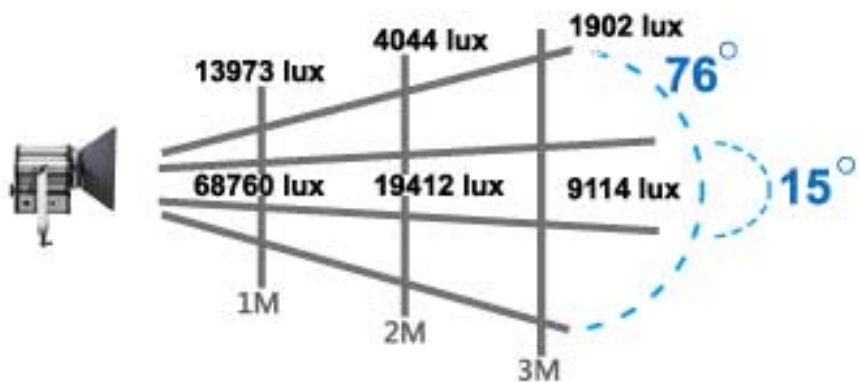
# ZOOM 100D



# ZOOM 100T



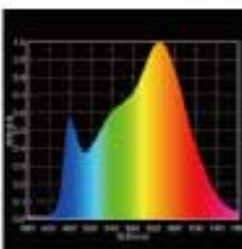
# ZOOM 200D



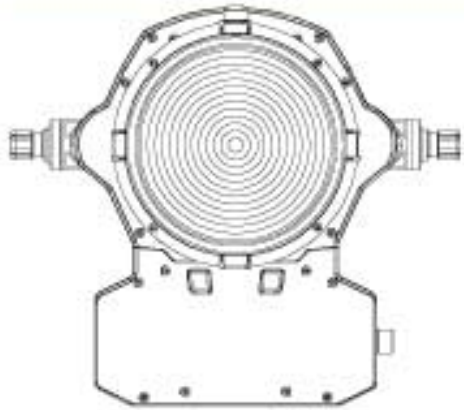
# ZOOM 200

Size: 33.5 L x 35 W x 32.5 H cm  
Weight: 9 kgs  
Power consumption: 200W  
Input: 100-240V

# ZOOM 200T



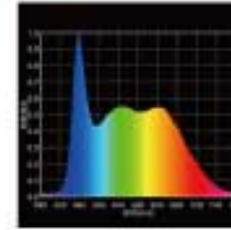
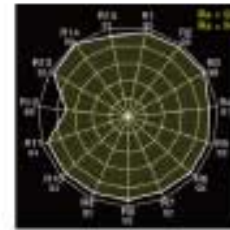
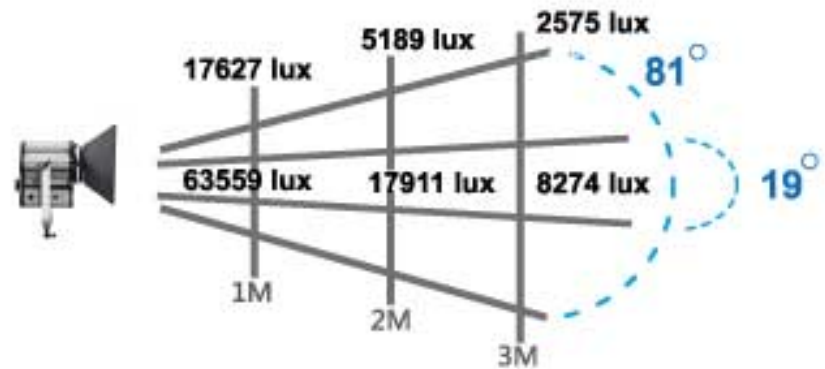
# ZOOM 350



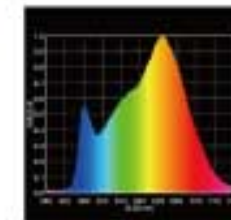
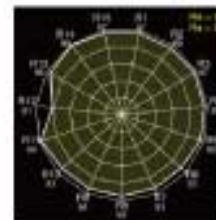
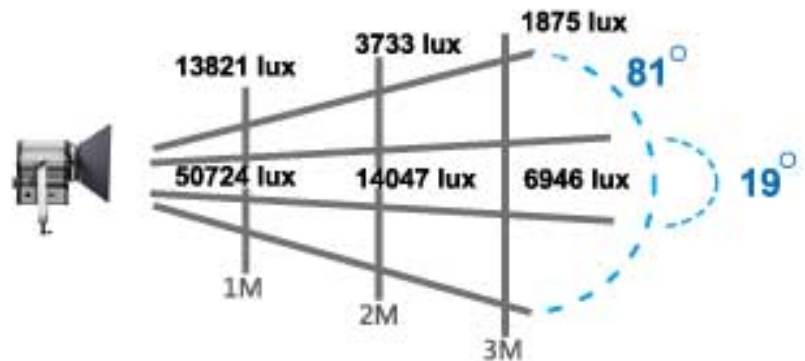
Size: 37 L x 35 W x 32.5 H cm  
Weight: 10.5 kgs  
Power consumption: 350W  
Input: 100-240V



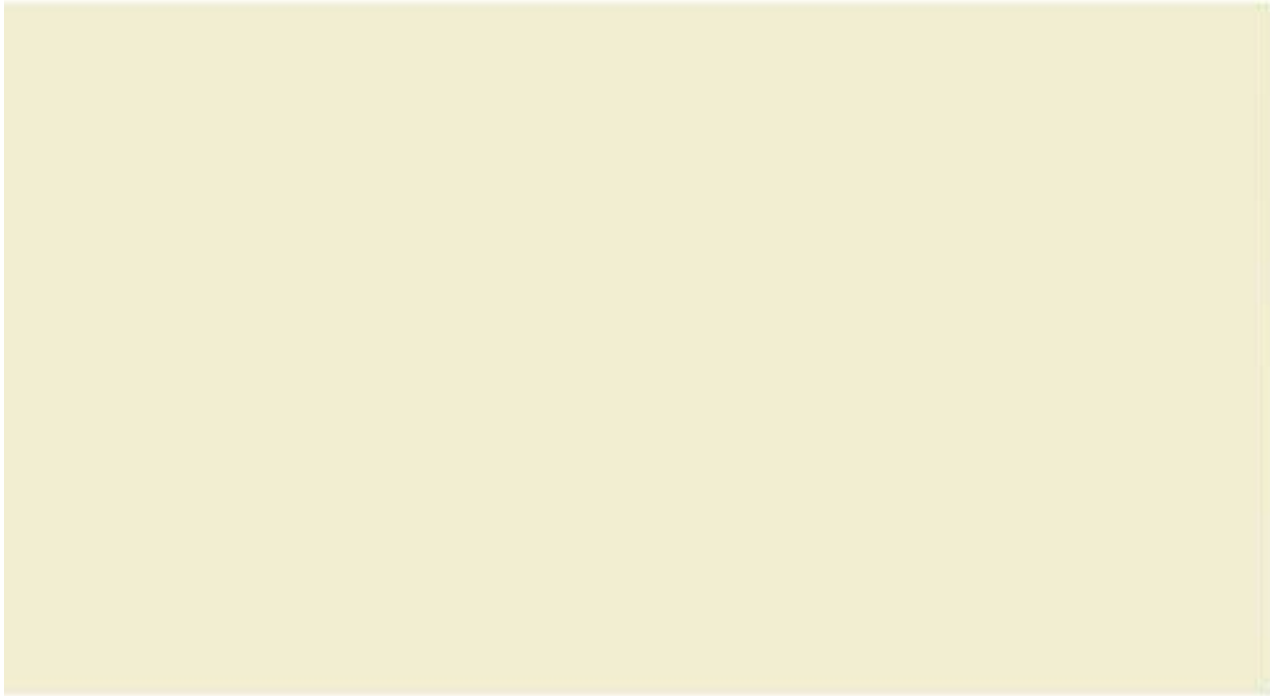
# ZOOM 350D



# ZOOM 350T







1 9 8 4 TAIWAN

Visio Light Inc

7F, No. 249, Jian 1st. Rd., Jhong He Dist.,  
New Taipei City, Taiwan 235  
Tel +886-2-2226-2359 Fax +886-2-2226-1269

[contact@visiolight.com](mailto:contact@visiolight.com)



[www.visiolight.com](http://www.visiolight.com)